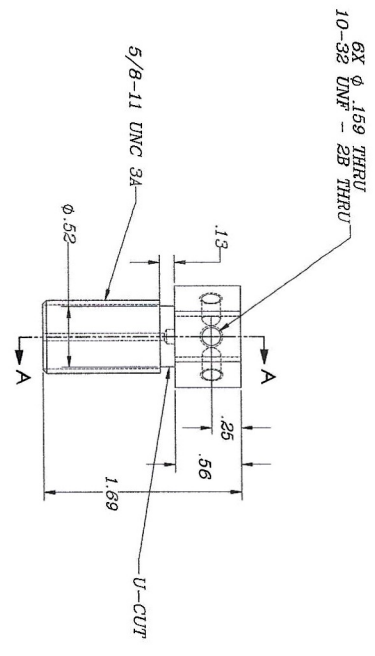


SECTION A-A
SCALE 2 : 1



MATERIAL = 4140 PRE HARD
BLACK OXIDE

NOTICE
THE DRAWING AND THE COPYRIGHT
HEREIN ARE THE PROPERTY OF
D&M HOLDING COMPANY, INC.
NO PART OF THIS DRAWING OR
HEREIN IS TO BE REPRODUCED
OR TRANSMITTED IN ANY FORM
OR BY ANY MEANS, ELECTRONIC
OR MECHANICAL, INCLUDING
PHOTOCOPYING, RECORDING,
OR BY ANY INFORMATION
STORAGE AND RETRIEVAL
SYSTEM, WITHOUT THE
WRITTEN PERMISSION OF
D&M HOLDING COMPANY, INC.

DATE PRINTED: 3/10/2021

STAMP WITH FOLLOWING		TOOL NAME STEEL HOLDER	
TOOL No.		PART NAME 102 CHAIRSIDE PRESS	
PART No.		DIST. PART No.	
OPERATION		SCALE: 1:1	
TOLERANCE ON DIMENSION NOT OTHERWISE SPECIFIED FRACTIONAL .1/64 DECIMAL .005 ANGULAR 1/16 INCH = .25°		DESIGNED BY: 166	
DO NOT SCALE DRAWING		DATE: 2/9/21	
DWG. No. DM162-149		SHEET 1 OF 1	
		D	

D&M HOLDING
COMPANY INC.
10312 County Road 579
Thonotosassa, FL 33592