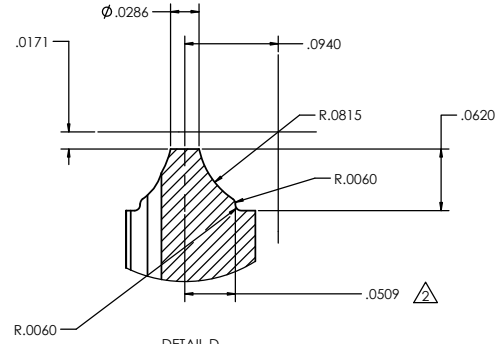
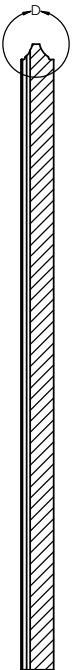
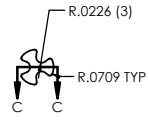
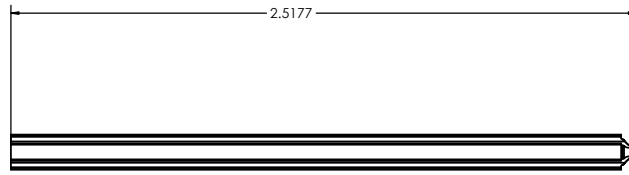


REVISIONS				
REV.	DESCRIPTION	DATE	BY	APPROVED
00	IMPORTED MODEL		B.F.	
1	ADDED FLAT	6/5/2023	B.F.	
2	.050FWAS .055	6/5/2023	B.F.	
3	WAS BRUDDER # 02491-00201	6/8/2023	B.F.	



DETAIL D  
SCALE 16 : 1

REFER TO 3D FOR MISSING DIMENSIONS.

SECTION C-C

NOTE:  
A: ALL DIMENSION TOLERANCES APPLY AFTER PARTS FINISH  
B: ALL THREADS TO BE PROTECTED FROM COATINGS  
QTY: 7+0

<p><b>PROPRIETARY AND CONFIDENTIAL</b></p> <p>THE INFORMATION CONTAINED IN THIS DRAWING IS THE SOLE PROPERTY OF D&amp;M HOLDING COMPANY. ANY REPRODUCTION IN PART OR AS A WHOLE WITHOUT THE WRITTEN PERMISSION OF D&amp;M HOLDING COMPANY IS PROHIBITED.</p> <p>ALL DIMENSIONS AND FINISH, WHETHER IN PRINTED OR ELECTRONIC FORM, MAY ONLY BE USED FOR THE PURPOSE FOR WHICH PERMISSION TO USE WAS GRANTED.</p> <p>THIS DOCUMENT MAY CONTAIN TECHNOLOGY OR TECHNICAL DATA, THE USE OF WHICH IS RESTRICTED BY THE EXPORT ADMINISTRATION REGULATIONS (EAR). THIS DATA IS SUBJECT TO THE LIMITATIONS SPECIFIED IN THE EXPORT ADMINISTRATION REGULATIONS (EAR). BY ACCEPTING THIS DATA, THE RECIPIENT AGREES TO HOLD THE INFORMATION CONTAINED HEREIN IN CONFIDENCE AND TO OBTAIN NECESSARY EXPORT PERMITS.</p> <p>THE INFORMATION ON THIS DOCUMENT MAY NOT BE TRANSMITTED TO ANY OTHER COUNTRY, OR TO A SUBSIDIARY OF ANY OTHER COUNTRY, OR OTHERWISE BE DISCLOSED TO ANY OTHER COUNTRY, WITHOUT THE WRITTEN PERMIT OF THE EXPORT ADMINISTRATION REGULATIONS (EAR). THIS DOCUMENT IS UNCLASSIFIED AND IS NOT BEING RECLASSIFIED INTO OTHER INFORMATION AS PROHIBITED BY FEDERAL LAW.</p>		<p>UNLESS OTHERWISE SPECIFIED:</p> <p>TOLERANCES: FRACTIONAL DIMENSIONS: .005" ± .001" DECIMAL DIMENSIONS: .001" ± .0005" PER INCH</p> <p>FINISH: CARBIDE CD40 OR</p> <p>SCALE: U.O.S.</p> <p>BREAK ALL SHARP EDGES AND DEBURR ALL EDGES .032 MAX.</p> <p>DO NOT SCALE DRAWING</p>	<p>DATE: 6/5/23</p> <p>BY: B.F.</p> <p>APPROVED: [Signature]</p>
<p>THIRD ANGLE PROJECTION</p> <p>±.0002 F.I.M.</p> <p>±.001 PER INCH</p>		<p>DATE: 6/5/23</p> <p>BY: B.F.</p> <p>APPROVED: [Signature]</p>	
<p>DATE: 6/5/23</p> <p>BY: B.F.</p> <p>APPROVED: [Signature]</p>		<p>DATE: 6/5/23</p> <p>BY: B.F.</p> <p>APPROVED: [Signature]</p>	

**D&M Holding Company**  
 TITLE: SMALL RIFLE ANVIL  
 SIZE: DWG. NO. PA0546  
 SCALE: 4:1 WEIGHT: 0.0008 SHEET 1 OF 1  
 REV 3