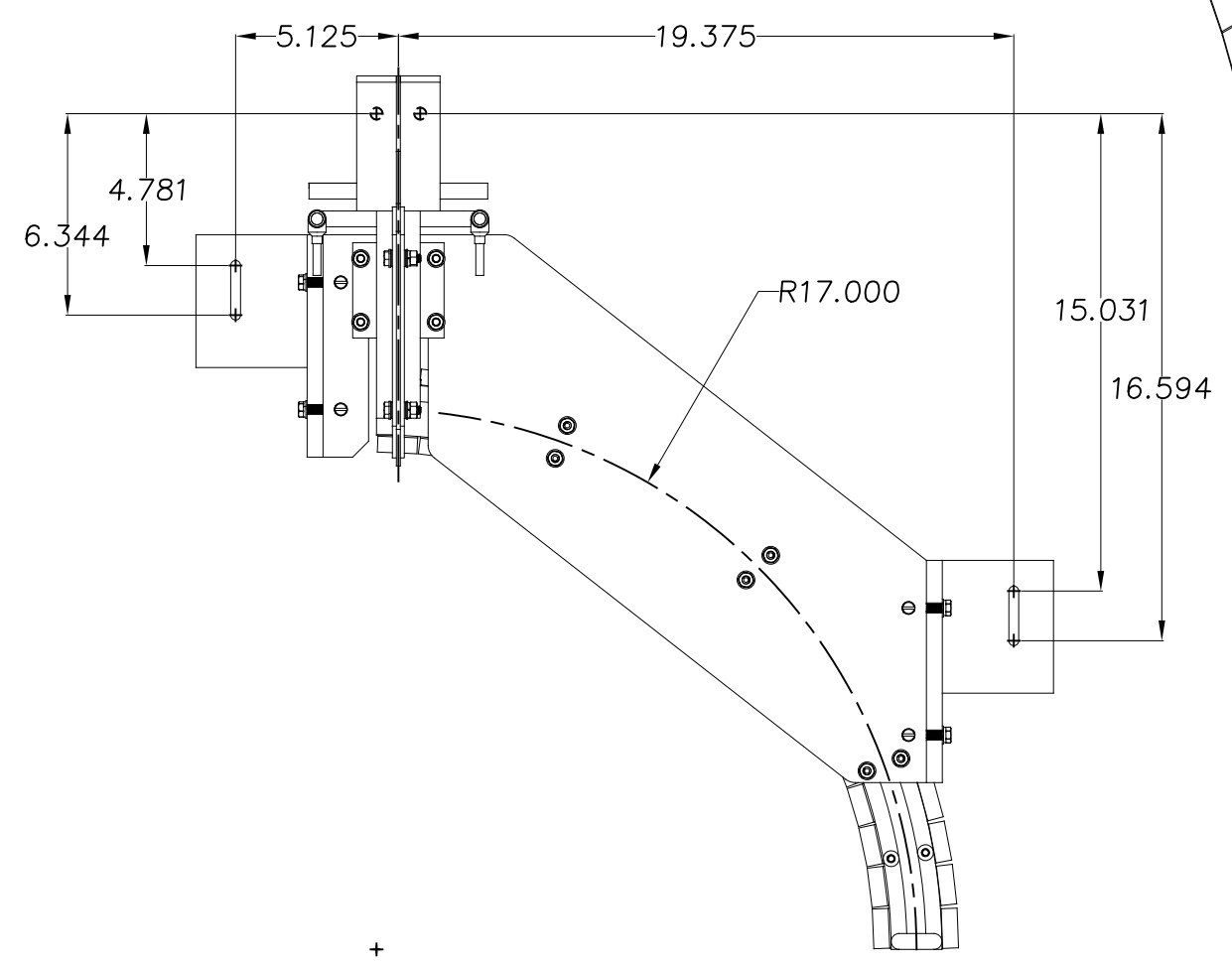
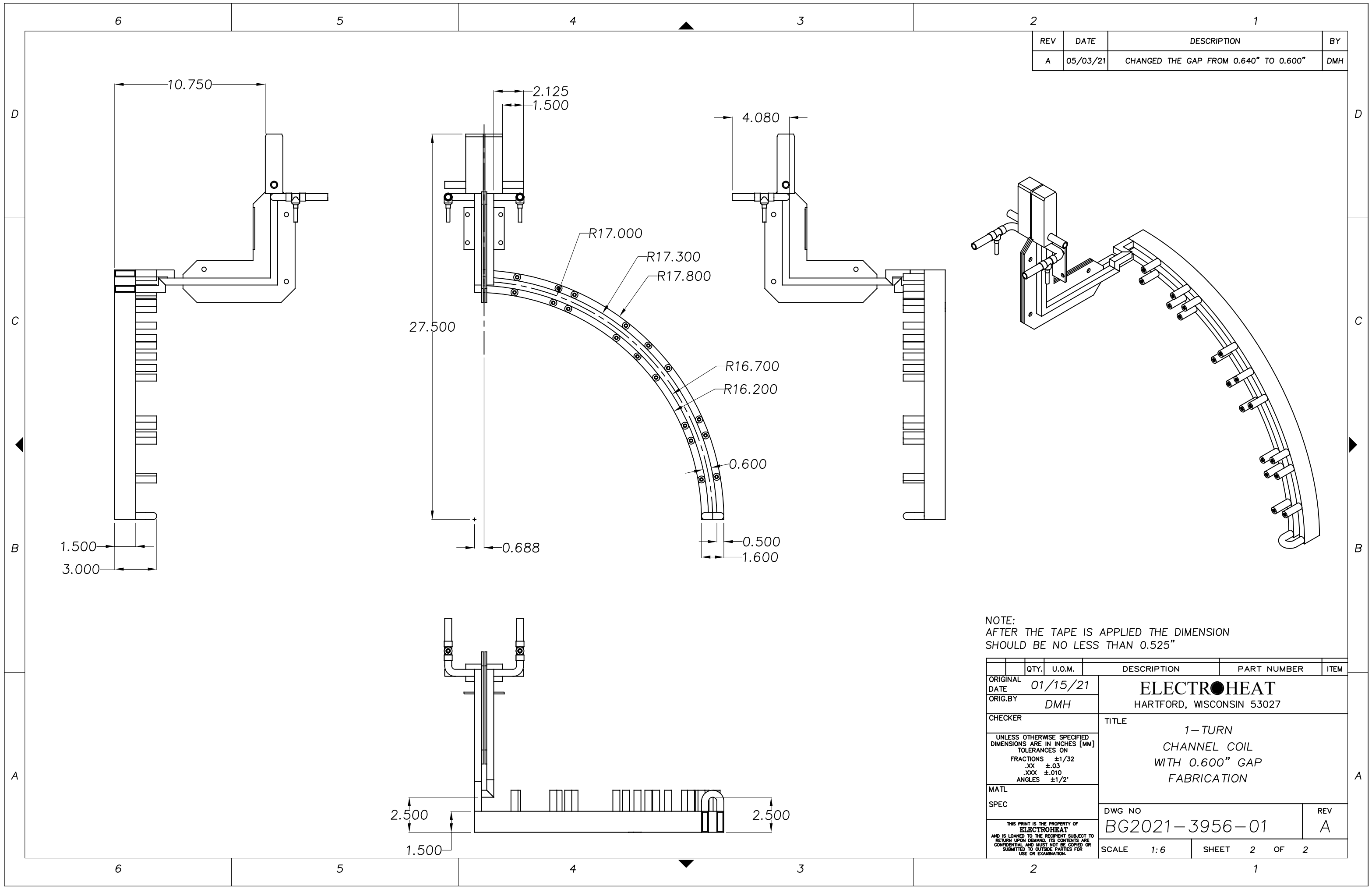


REV	DATE	DESCRIPTION	BY
A	04/30/21	CHANGED THE GAP FROM 0.640" TO 0.600"	DMH



QTY.	U.O.M.	DESCRIPTION	PART NUMBER	ITEM
ORIGINAL DATE	01/15/21	ELECTROHEAT HARTFORD, WISCONSIN 53027		
ORIG.BY	DMH			
CHECKER		TITLE 1-TURN CHANNEL COIL WITH 0.600" GAP		
UNLESS OTHERWISE SPECIFIED DIMENSIONS ARE IN INCHES [MM] TOLERANCES ON FRACTIONS ±1/32 .XX ±.03 .XXX ±.010 ANGLES ±1/2°		DWG NO BG2021-3956-01		
MATL		REV A		
SPEC		SCALE 1:6	SHEET 1 OF 2	
THIS PRINT IS THE PROPERTY OF ELECTROHEAT AND IS LOANED TO THE RECIPIENT SUBJECT TO RETURN UPON DEMAND. ITS CONTENTS ARE CONFIDENTIAL AND MUST NOT BE COPIED OR SUBMITTED TO OUTSIDE PARTIES FOR USE OR EXAMINATION.				

REV	DATE	DESCRIPTION	BY
A	05/03/21	CHANGED THE GAP FROM 0.640" TO 0.600"	DMH



NOTE:
AFTER THE TAPE IS APPLIED THE DIMENSION
SHOULD BE NO LESS THAN 0.525"

QTY.	U.O.M.	DESCRIPTION	PART NUMBER	ITEM
ORIGINAL DATE	01/15/21	ELECTROHEAT HARTFORD, WISCONSIN 53027		
ORIG. BY	DMH			
CHECKER		TITLE 1-TURN CHANNEL COIL WITH 0.600" GAP FABRICATION		
UNLESS OTHERWISE SPECIFIED DIMENSIONS ARE IN INCHES [MM] TOLERANCES ON FRACTIONS ±1/32 .XX ±.03 .XXX ±.010 ANGLES ±1/2°		DWG NO BG2021-3956-01		
MATL		REV A		
SPEC		SCALE 1:6 SHEET 2 OF 2		
<small>THIS PRINT IS THE PROPERTY OF ELECTROHEAT AND IS LOANED TO THE RECIPIENT SUBJECT TO RETURN UPON DEMAND. ITS CONTENTS ARE CONFIDENTIAL AND MUST NOT BE COPIED OR SUBMITTED TO OUTSIDE PARTIES FOR USE OR EXAMINATION.</small>				