

4

3

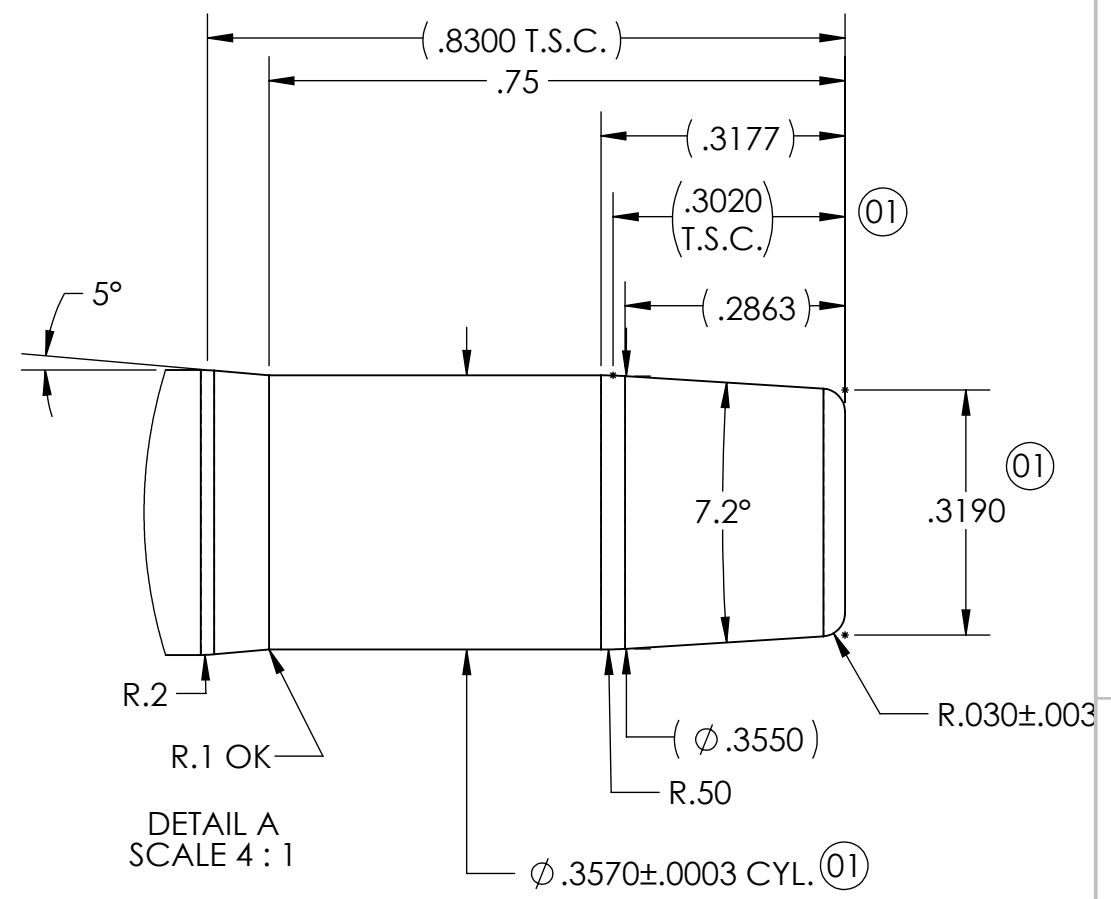
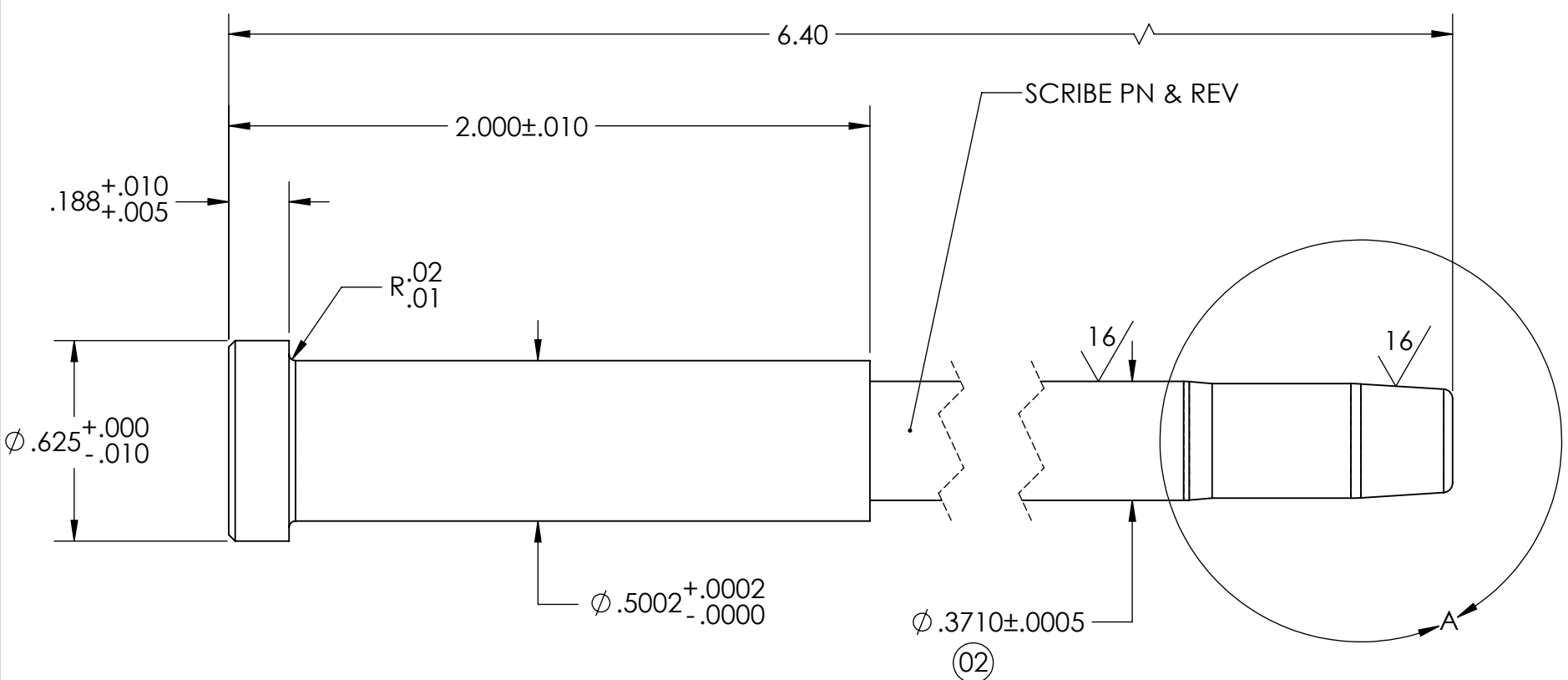
2

1

REVISIONS			
REV.	DESCRIPTION	DATE	APPROVED
00	INITIAL RELEASE	11/29/22	NNK
01	.3190 WAS .3195. .3570 CYL. WAS TAPERED, .75 WAS .70	2/2/2023	NK
02	.371 WAS .369	5/9/2023	NK

B

B



NOTE:
 A: ALL DIMENSION TOLERANCES APPLY AFTER PARTS FINISH
 B: ALL THREADS TO BE PROTECTED FROM COATINGS

QTY: 1

A

A

<p align="center">PROPRIETARY AND CONFIDENTIAL</p> <p>THE INFORMATION CONTAINED IN THIS DRAWING IS THE SOLE PROPERTY OF D&M HOLDING COMPANY. ANY REPRODUCTION IN PART OR AS A WHOLE WITHOUT THE WRITTEN PERMISSION OF D&M HOLDING COMPANY IS PROHIBITED.</p> <p>ALL DRAWINGS AND PRINTS, WHETHER IN PRINTED OR ELECTRONIC FORMAT, MAY ONLY BE USED FOR THE PURPOSE FOR WHICH PERMISSION TO USE WAS GRANTED.</p> <p>THIS DOCUMENT MAY CONTAIN TECHNOLOGY OR TECHNICAL DATA, THE USE OF WHICH IS RESTRICTED BY THE U.S. ARMS EXPORT CONTROL ACT. THIS DATA IS SUBJECT TO THE LIMITATIONS SPECIFIED IN THE INTERNATIONAL TRAFFIC IN ARMS REGULATIONS (ITAR). BY ACCEPTING THIS DATA, THE RECIPIENT AGREES TO HONOR THE REQUIREMENTS OF THE ITAR.</p> <p>THE INFORMATION ON THIS DOCUMENT MAY NOT BE TRANSFERRED TO ANY OTHER COUNTRY, OR TO A NATIONAL OF ANY OTHER COUNTRY, OR OTHERWISE BE DISPOSED OF IN ANY OTHER COUNTRY, EITHER IN THEIR ORIGINAL FORM OR AFTER BEING INCORPORATED INTO OTHER END-ITEMS IS PROHIBITED BY FEDERAL LAW.</p>	<p>THIRD ANGLE PROJECTION</p>	<p>UNLESS OTHERWISE SPECIFIED: DIMENSIONS ARE IN INCHES TOLERANCES: FRACTIONAL ±1/64 ANGULAR: MACH ±.5 BEND ±1 ONE PLACE DECIMAL ±.05 TWO PLACE DECIMAL ±.01 THREE PLACE DECIMAL ±.005 FOUR PLACE DECIMAL ±.0005</p>	<table border="1"> <tr> <th>NAME</th> <th>DATE</th> </tr> <tr> <td>DRAWN NK</td> <td>11/29/2022</td> </tr> <tr> <td>CHECKED</td> <td></td> </tr> <tr> <td>ENG APPR.</td> <td></td> </tr> <tr> <td>MFG APPR.</td> <td></td> </tr> <tr> <td>Q.A.</td> <td></td> </tr> </table>	NAME	DATE	DRAWN NK	11/29/2022	CHECKED		ENG APPR.		MFG APPR.		Q.A.		<p align="center">D&M Holding Company</p> <p>TITLE: 2ND DRAW PUNCH 380 AUTO</p>
	NAME		DATE													
	DRAWN NK		11/29/2022													
	CHECKED															
ENG APPR.																
MFG APPR.																
Q.A.																
<table border="1"> <tr> <td>⊙ ±.002 F.I.M.</td> <td>MATERIAL</td> </tr> <tr> <td>// ±.0005 PER INCH</td> <td>M2 62-64 HRC</td> </tr> <tr> <td>⊥ ±.001 PER INCH</td> <td>FINISH 32</td> </tr> <tr> <td>BREAK ALL SHARP EDGES AND DEBURR ALL HOLES .03 MAX</td> <td>U.O.S.</td> </tr> </table>	⊙ ±.002 F.I.M.	MATERIAL	// ±.0005 PER INCH	M2 62-64 HRC	⊥ ±.001 PER INCH	FINISH 32	BREAK ALL SHARP EDGES AND DEBURR ALL HOLES .03 MAX	U.O.S.	<table border="1"> <tr> <td>DO NOT SCALE DRAWING</td> <td>COMMENTS:</td> </tr> </table>	DO NOT SCALE DRAWING	COMMENTS:	<table border="1"> <tr> <td>SIZE B</td> <td>DWG. NO. CT10387</td> <td>REV 02</td> </tr> </table>	SIZE B	DWG. NO. CT10387	REV 02	
⊙ ±.002 F.I.M.	MATERIAL															
// ±.0005 PER INCH	M2 62-64 HRC															
⊥ ±.001 PER INCH	FINISH 32															
BREAK ALL SHARP EDGES AND DEBURR ALL HOLES .03 MAX	U.O.S.															
DO NOT SCALE DRAWING	COMMENTS:															
SIZE B	DWG. NO. CT10387	REV 02														
			<table border="1"> <tr> <td>SCALE: 2:1</td> <td>WEIGHT: 0.03</td> <td>SHEET 1 OF 1</td> </tr> </table>	SCALE: 2:1	WEIGHT: 0.03	SHEET 1 OF 1										
SCALE: 2:1	WEIGHT: 0.03	SHEET 1 OF 1														

4

3

2

1