

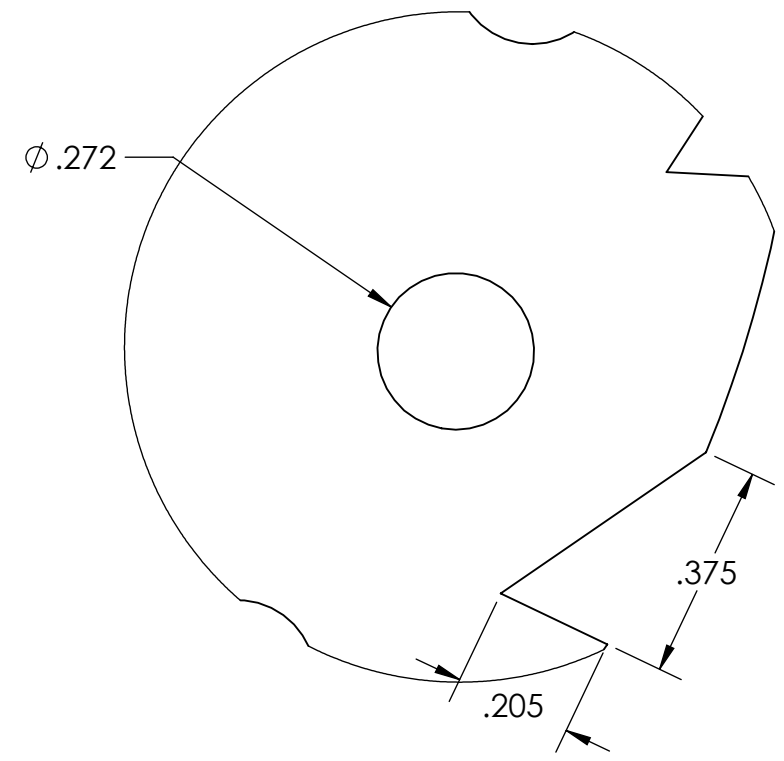
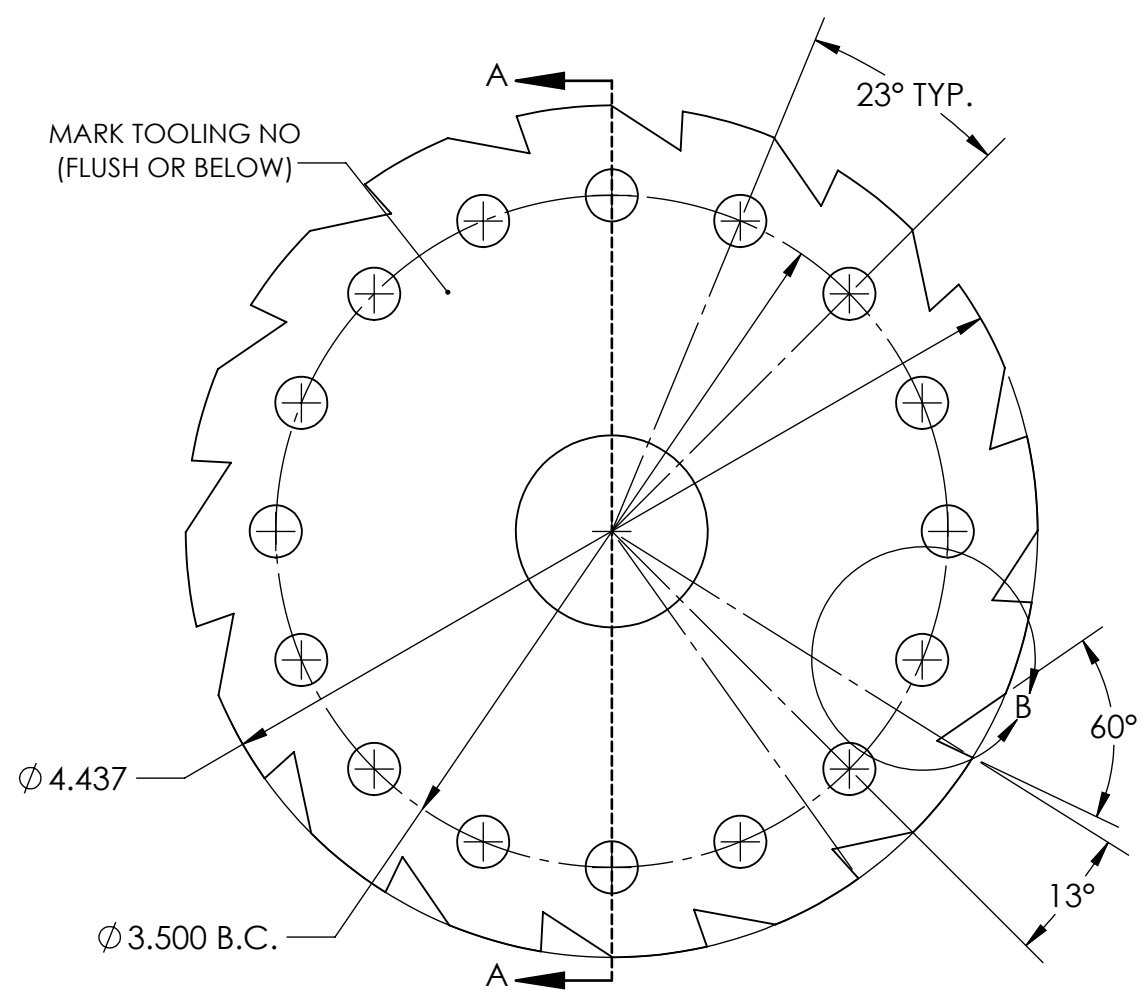
4

3

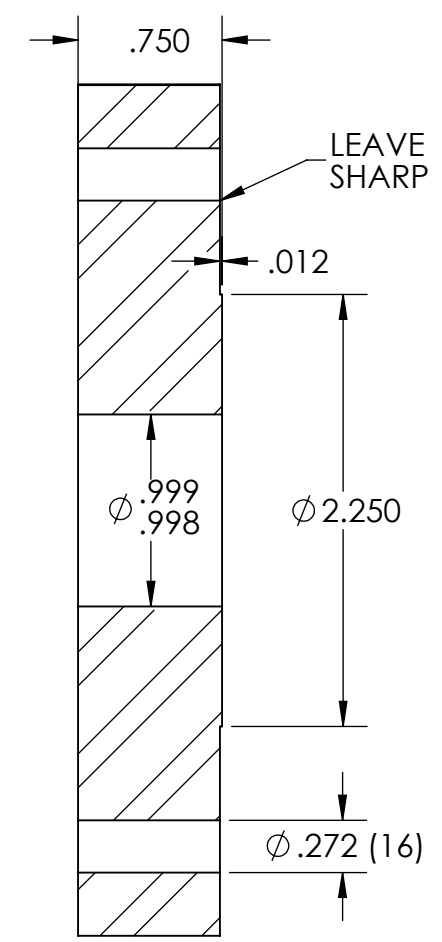
2

1

REVISIONS			
REV.	DESCRIPTION	DATE	APPROVED
A	INITIAL RELEASE	6/17/20	JPF



**DETAIL B**  
SCALE 3 : 1



**SECTION A-A**

**USE 1.0" x 60° DOVE TAIL CUTTER TO CUT TEETH**

**NOTES:**  
HONE Ø .999/.998 TO PRESS FIT BEARING

- NOTES:**
- MATERIAL: AISI 8620
  - HARDNESS: RC 60-62 CARBORIZE .03 DEEP
  - SURFACE FINISH  $\sqrt{16}$  U.O.S.
  - MARK TOOL NO.: 100-03-454-260 REV A

<p>THE INFORMATION CONTAINED IN THIS DRAWING IS THE SOLE PROPERTY OF D&amp;M HOLDING COMPANY. ANY REPRODUCTION IN PART OR AS A WHOLE WITHOUT THE WRITTEN PERMISSION OF D&amp;M HOLDING COMPANY IS PROHIBITED.</p> <p>ALL DRAWINGS AND PRINTS, WHETHER IN PRINTED OR ELECTRONIC FORMAT, MAY ONLY BE USED FOR THE PURPOSE FOR WHICH PERMISSION TO USE WAS GRANTED.</p> <p>THIS DOCUMENT MAY CONTAIN TECHNOLOGY OR TECHNICAL DATA, THE USE OF WHICH IS RESTRICTED BY THE U.S. ARMS EXPORT CONTROL ACT. THIS DATA IS SUBJECT TO THE LIMITATIONS SPECIFIED IN THE INTERNATIONAL TRAFFIC IN ARMS REGULATIONS (ITAR). BY ACCEPTING THIS DATA, THE RECIPIENT AGREES TO HONOR THE REQUIREMENTS OF THE ITAR.</p> <p>THE INFORMATION ON THIS DOCUMENT MAY NOT BE TRANSFERRED TO ANY OTHER COUNTRY, OR TO A NATIONAL OF ANY OTHER COUNTRY, OR OTHERWISE BE DISPOSED OF IN ANY OTHER COUNTRY, EITHER IN THEIR ORIGINAL FORM OR AFTER BEING INCORPORATED INTO OTHER END-ITEMS IS PROHIBITED BY FEDERAL LAW.</p>	<p>UNLESS OTHERWISE SPECIFIED:</p> <p>DIMENSIONS ARE IN INCHES</p> <p>TOLERANCES:</p> <p>FRACTIONAL ± 1/64</p> <p>ANGULAR: MACH ± .5 BEND ± 1</p> <p>TWO PLACE DECIMAL ± .01</p> <p>THREE PLACE DECIMAL ± .002</p> <p>FOUR PLACE DECIMAL ± .0005</p> <p>BREAK ALL SHARP CORNERS 1/64 MIN. UNLESS OTHERWISE NOTED</p>	<table border="1"> <tr> <th>NAME</th> <th>DATE</th> </tr> <tr> <td>DRAWN JPF</td> <td>6/17/20</td> </tr> <tr> <td>CHECKED</td> <td></td> </tr> <tr> <td>ENG APPR.</td> <td></td> </tr> <tr> <td>MFG APPR.</td> <td></td> </tr> <tr> <td>Q.A.</td> <td></td> </tr> <tr> <td colspan="2">COMMENTS:</td> </tr> </table>	NAME	DATE	DRAWN JPF	6/17/20	CHECKED		ENG APPR.		MFG APPR.		Q.A.		COMMENTS:		<p><b>D&amp;M Holding Company</b></p> <p>TITLE: <b>INDEXING DIAL, .272 7N1 FMJ VERTICAL SWAGING UNIT</b></p> <p>SIZE <b>B</b> DWG. NO. 100-03-454-260 REV <b>A</b></p> <p>SCALE: 1:1 WEIGHT: SHEET 1 OF 1</p>
	NAME	DATE															
	DRAWN JPF	6/17/20															
	CHECKED																
ENG APPR.																	
MFG APPR.																	
Q.A.																	
COMMENTS:																	
DO NOT SCALE DRAWING																	

4

3

2

1