

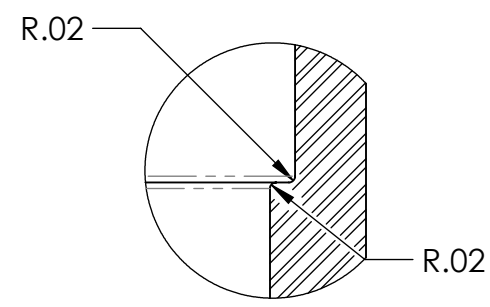
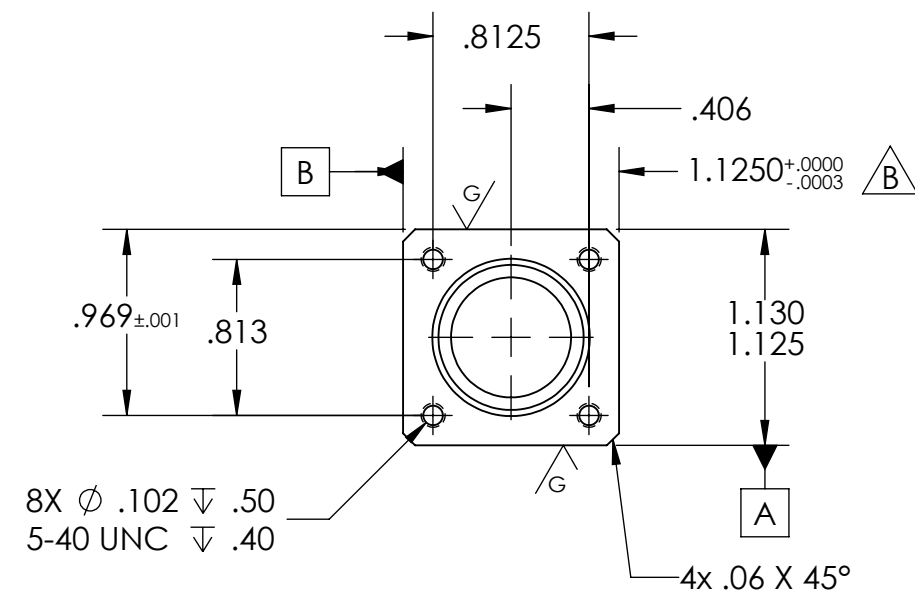
4

3

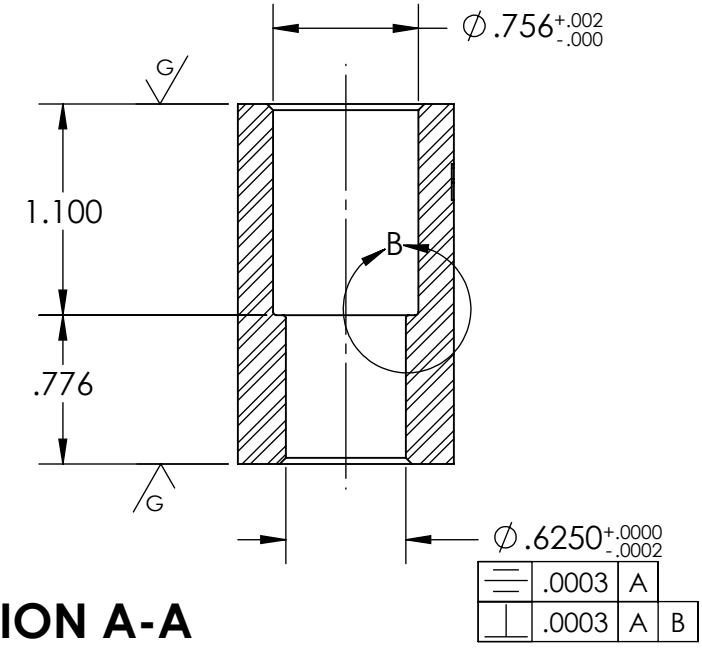
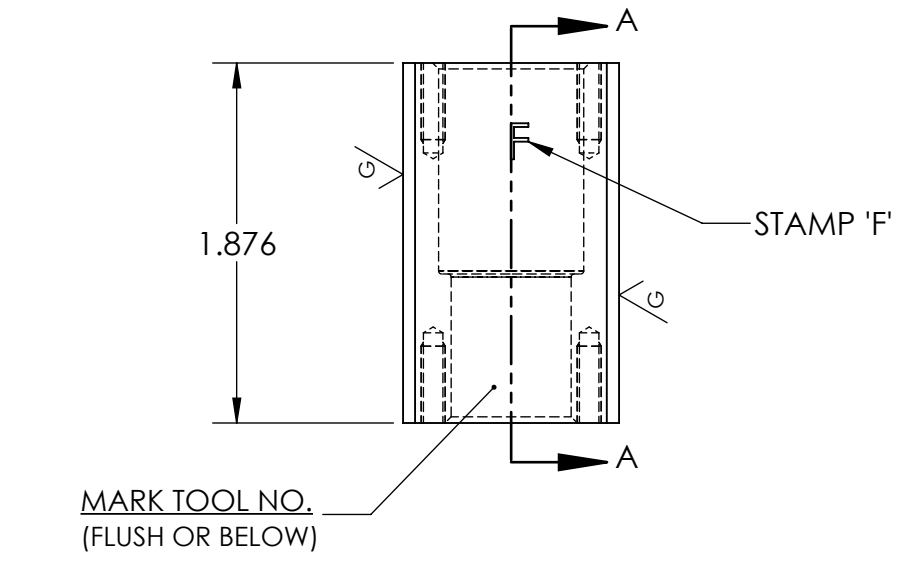
2

1

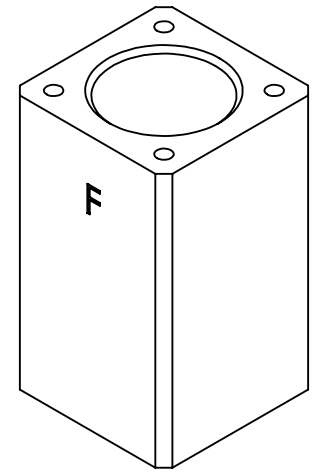
REVISIONS			
REV.	DESCRIPTION	DATE	APPROVED
A	INITIAL RELEASE	3/1/20	JPF
B	1.1250 TOL. WAS +.0003 / -0, ϕ .6250 WAS (ϕ .624)	12/8/21	JPF



DETAIL B
SCALE 2 : 1



SECTION A-A



LIGHT PRESS FIT FOR (2) KOYO B-76 ROLLER BEARINGS (FLUSH WITH BOTTOM OF HOLDER)

STATION 13

- NOTES:**
- MATERIAL: AISI-A2
 - HEAT TREAT: Rc 58-60
 - COATING: NONE
 - SURFACE FINISH $\sqrt{16}$ U.O.S.
 - MARK TOOL NO.: 325-13-001-14 REV B

<p>THE INFORMATION CONTAINED IN THIS DRAWING IS THE SOLE PROPERTY OF D&M HOLDING COMPANY. ANY REPRODUCTION IN PART OR AS A WHOLE WITHOUT THE WRITTEN PERMISSION OF D&M HOLDING COMPANY IS PROHIBITED.</p> <p>ALL DRAWINGS AND PRINTS, WHETHER IN PRINTED OR ELECTRONIC FORMAT, MAY ONLY BE USED FOR THE PURPOSE FOR WHICH PERMISSION TO USE WAS GRANTED.</p> <p>THIS DOCUMENT MAY CONTAIN TECHNOLOGY OR TECHNICAL DATA, THE USE OF WHICH IS RESTRICTED BY THE U.S. ARMS EXPORT CONTROL ACT. THIS DATA IS SUBJECT TO THE LIMITATIONS SPECIFIED IN THE INTERNATIONAL TRAFFIC IN ARMS REGULATIONS (ITAR). BY ACCEPTING THIS DATA, THE RECIPIENT AGREES TO HONOR THE REQUIREMENTS OF THE ITAR.</p> <p>THE INFORMATION ON THIS DOCUMENT MAY NOT BE TRANSFERRED TO ANY OTHER COUNTRY, OR TO A NATIONAL OF ANY OTHER COUNTRY, OR OTHERWISE BE DISPOSED OF IN ANY OTHER COUNTRY, EITHER IN THEIR ORIGINAL FORM OR AFTER BEING INCORPORATED INTO OTHER END-ITEMS IS PROHIBITED BY FEDERAL LAW.</p>	<p>UNLESS OTHERWISE SPECIFIED:</p> <p>DIMENSIONS ARE IN INCHES</p> <p>TOLERANCES:</p> <p>FRACTIONAL \pm 1/64</p> <p>ANGULAR: MACH \pm .5 BEND \pm 1</p> <p>TWO PLACE DECIMAL \pm .01</p> <p>THREE PLACE DECIMAL \pm .002</p> <p>FOUR PLACE DECIMAL \pm .0005</p> <p>BREAK ALL SHARP CORNERS .01" UNLESS OTHERWISE NOTED</p>	<table border="1"> <tr> <td>NAME</td> <td>DATE</td> </tr> <tr> <td>JPF</td> <td>3/1/21</td> </tr> </table>	NAME	DATE	JPF	3/1/21	<p>D&M Holding Company</p> <p>TITLE: PUNCH HOLDER, SPRING LOADED U.S. BAIRD 3-25</p> <table border="1"> <tr> <td>SIZE</td> <td>DWG. NO.</td> <td>REV</td> </tr> <tr> <td>B</td> <td>325-13-001-14</td> <td>B</td> </tr> </table> <p>SCALE: 1:1 WEIGHT: SHEET 1 OF 1</p>	SIZE	DWG. NO.	REV	B	325-13-001-14	B
	NAME	DATE											
	JPF	3/1/21											
	SIZE	DWG. NO.	REV										
B	325-13-001-14	B											
<p>DO NOT SCALE DRAWING</p>	<table border="1"> <tr> <td>DRAWN</td> <td>ENG APPR.</td> <td>MFG APPR.</td> <td>Q.A.</td> <td>COMMENTS:</td> </tr> <tr> <td></td> <td></td> <td></td> <td></td> <td></td> </tr> </table>	DRAWN	ENG APPR.	MFG APPR.	Q.A.	COMMENTS:							
DRAWN	ENG APPR.	MFG APPR.	Q.A.	COMMENTS:									

4

3

2

1

A

A