



**PROPOSAL**

**D&M Holding Company, Inc.**  
10312 County Road 579  
Thonotosassa, FL 33592  
Attention: Dan Powers

**Date: October 29, 2024**  
**Quotation #: 24-1029AJR**

**BRUDERER BS100 Servo Double Action Press**

**Price: \$ 300,000.00**

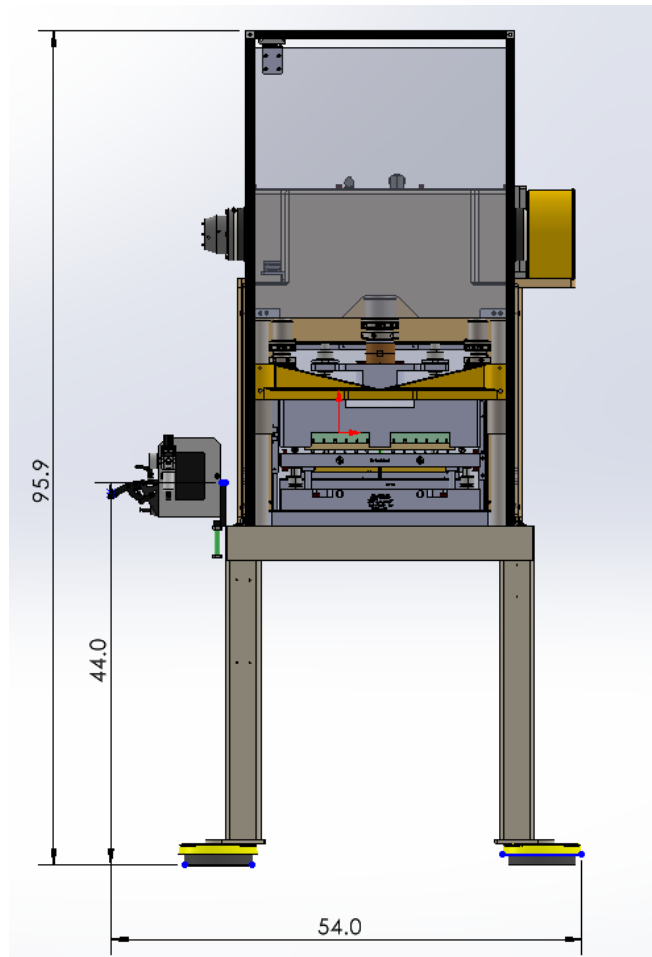
BS100 Servo Double Action Press is equipped with a Siemens Servo Motor, Siemens Press Control and Tool Area Guarding. The press base can be configured with press legs including vibration mounts.

Press Specifications

Speed:	300 SPM
Outer Ram Depth:	300 mm
Outer Ram Width:	600 mm
Outer Ram Stroke:	23 mm
Outer Ram Shut Height:	166mm ±15mm
Inner Ram Depth:	80 mm
Inner Ram Width:	440 mm
Inner Ram Stroke:	42 mm
Inner Ram Shut Height:	292mm ±15mm
Bolster Width:	600 mm
Bolster Depth:	420 mm
Bolster Height:	44.45 mm

Additional Features

Belt guard with belt viewing window  
Circulating lubrication for eccentric and guide columns  
Siemens Synchronous Motor, 91Nm / 15.3kW



**Quotation Valid for 30 days**

**\*Above price does not include transportation/installation/training/start-up\***

Ex Works: Ridgefield, NJ  
Delivery: 6 Months  
Terms: 30% with Order, balance net 30 days

Above proposal submitted in accordance with terms and conditions submitted with this quotation.  
Per: \_\_\_\_\_

Signature